

愛協「貓隻領域護理計劃」— 籠罩紙樣



The SPCA's Cat Colony Care Programme - The pattern of the cat trap cover

D - 籠罩頂部 — 裁出1份 / Body top — cut 1 piece

縫紉指示 Sewing Instructions

----- 摺疊及縫紉 Fold and stitch

————— 摺疊縫邊 Fold for hem

————— 剪出紙樣 Cut out the layout

 蓋上手挽布料 (紙樣C)

Cover with the handle piece (Pattern C) and stitch

87cm

10cm

19cm

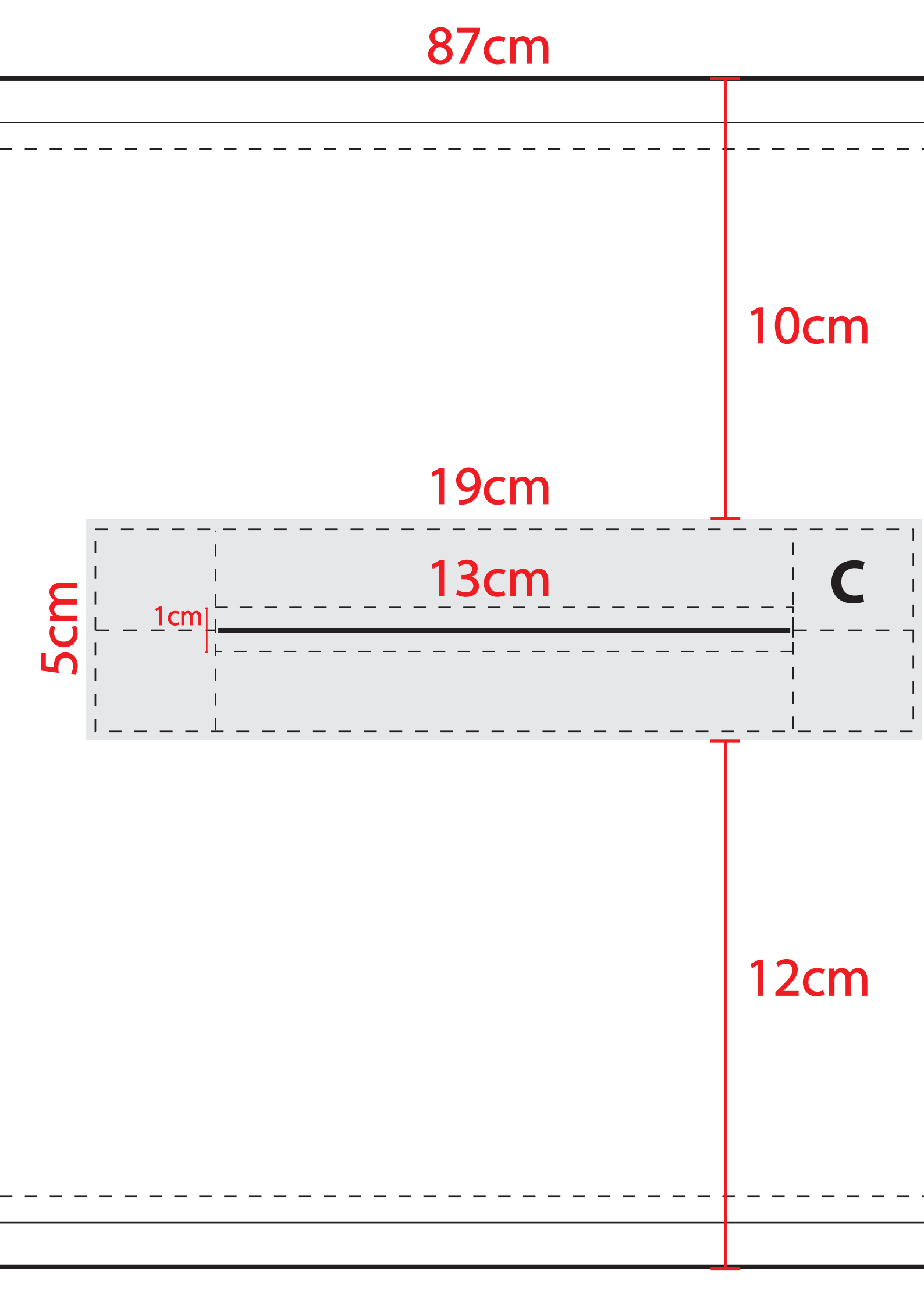
13cm

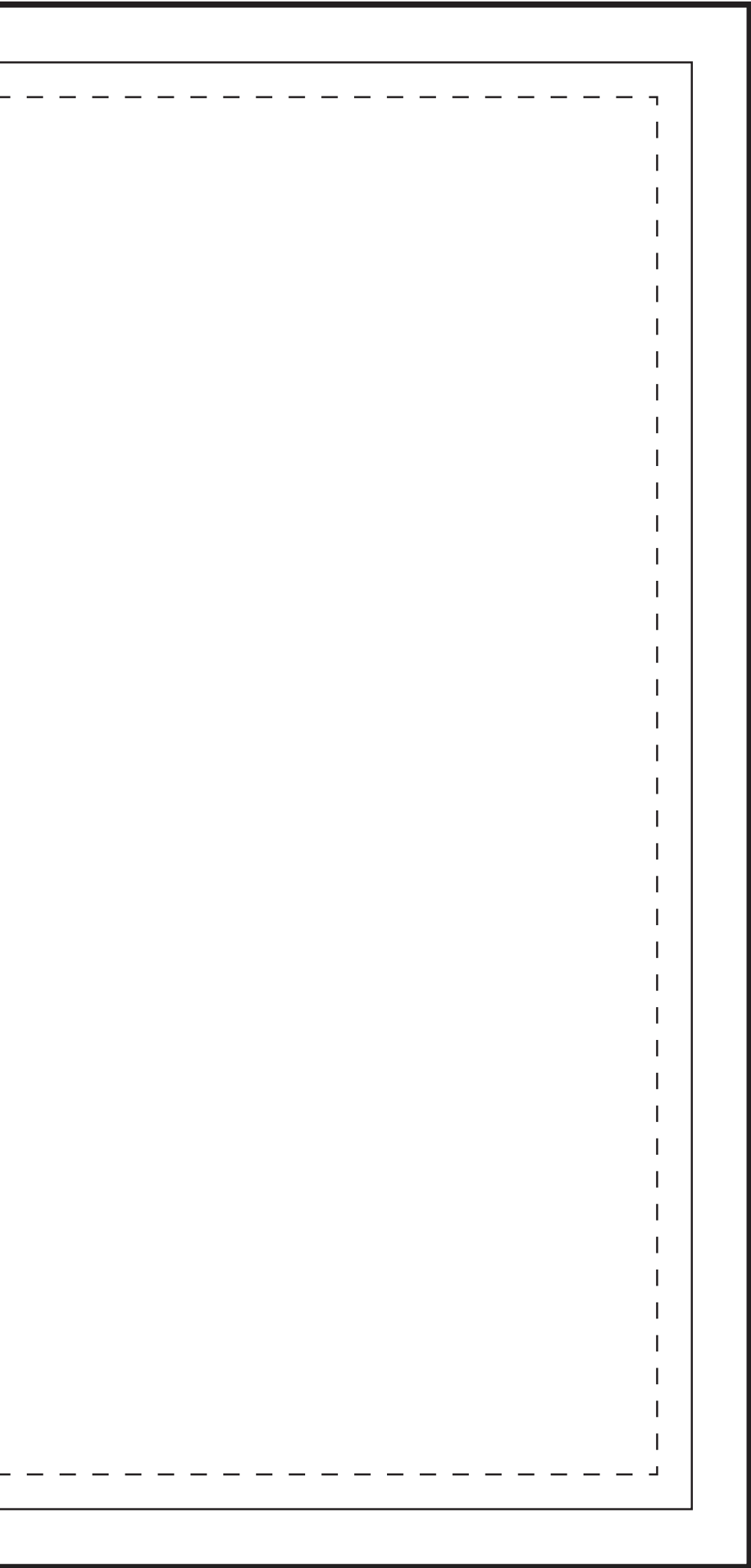
C

1cm

5cm

12cm





27cm

